

DATA SHEET: TEMBREAK 2 S125-NJ MCCB

Ratings and Specifications

Frame Reference	Quantity	Unit	Condition	TB2 S125
Max In (A) of Frame				125
Model Number of Poles Type				S125 3, 4 NJ
Nominal current ratings				
	I_n	(A)	50°C	20, 32, 50 63, 100 125,
Electrical characteristics				
Rated operational voltage	U_e	(A)	AC 50/60 Hz DC	690, 250
Rated insulation voltage	U_i	(V)		800
Rated impulse withstand voltage	U_{imp}	(kV)		8
Ultimate breaking capacity (IEC, JIS, AS/NZS)	I_{cu}	(kA)	690V AC 525V AC 440V AC 400/415V AC 220/240V AC 250V DC	6 22 25 36 50 25
Service breaking capacity (IEC, JIS, AS/NZS)	I_{cs}	(kA)	690V AC 525V AC 440V AC 400/415V AC 220/240V AC 250V DC	6 22 25 36/33 50 19
Rated breaking capacity (NEMA)		(kA)	480V AC 240V AC	22 50
Protection				
Adjustable thermal, adjustable magnetic Fixed thermal, fixed magnetic Microprocessor Utilisation category				■ A
Installation				
Front connection (FC) Extension bar (FB) Cable clamp (FW) Rear connector (RC) Plug-in (PM) Din rail mounting (DA) Dimensions	height width	(mm) (mm)	3 pole, (1 pole) 4 pole	■ ● ● ● ● - 155 90
Weight	depth weight	(mm) (kg)	3 pole, (1 pole) 4 pole	120 68 1.1 1.4
Operation				
Direct Opening Action Toggle operation Door mounted (HS) / breaker mounted handle (HB) Motor operation (MC)				■ ■ ● ●
Endurance	Electrical Mechanical	cycles cycles	415V AC	30,000 30,000

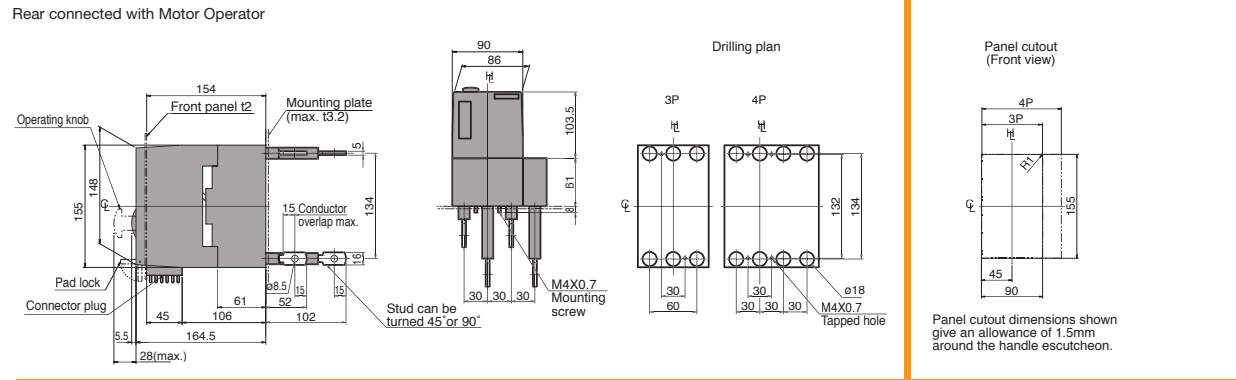
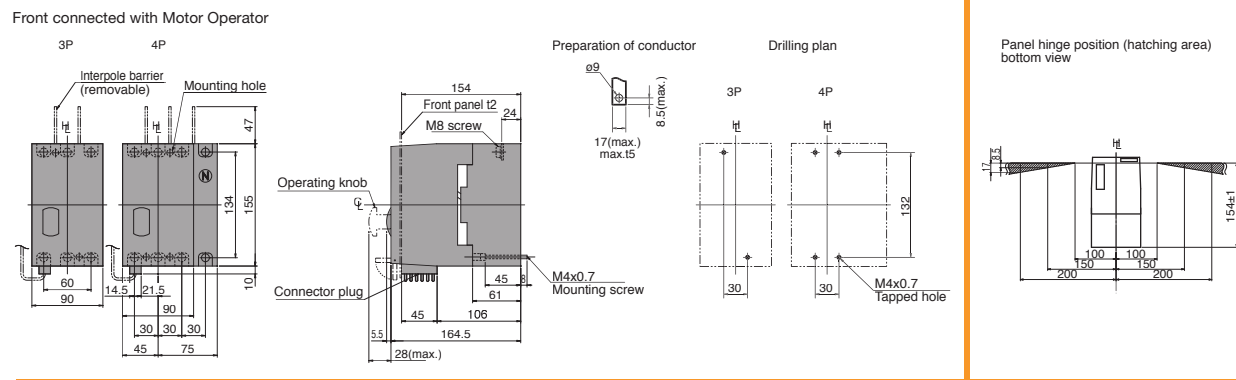
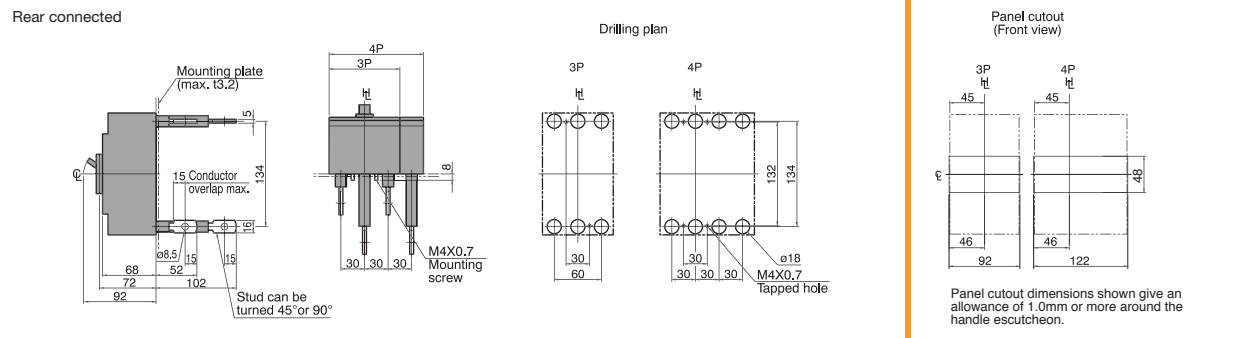
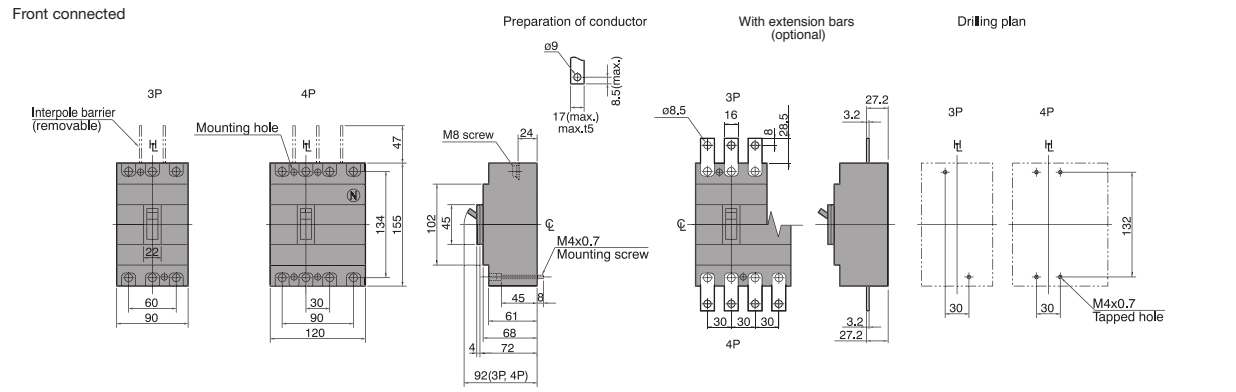
■ Standard ● Optional - Not Available

* Applies to 20A to 32A models

DATA SHEET: TEMBREAK 2 S125-NJ MCCB

Outline Dimensions S125-NJ

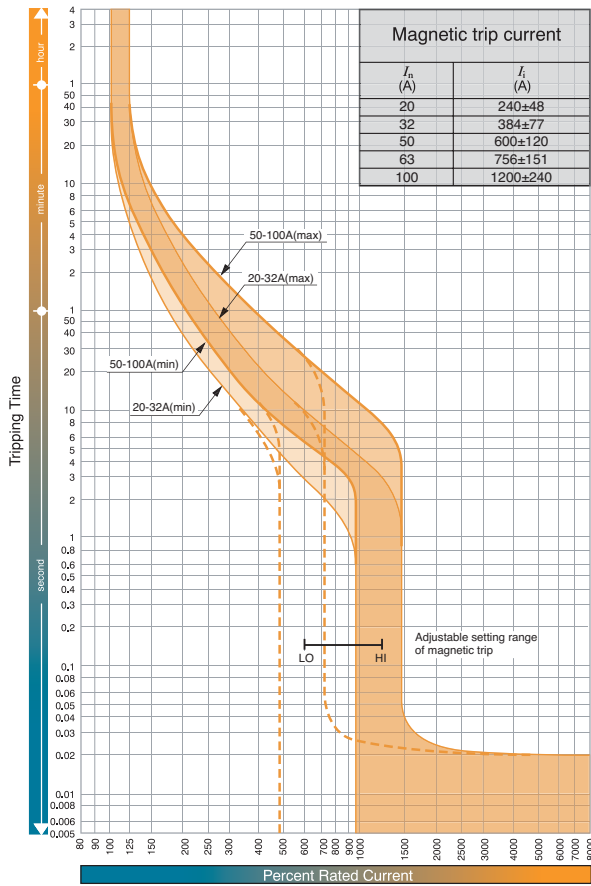
ASL: Arrangement Standard Line Ht: Handle Frame Centre Line



DATA SHEET: TEMBREAK 2 S125-NJ MCCB

Time/Current Characteristic Curves

S125-NJ, S125-GJ, VS125-NJ (20A to 100A)



Time/Current Characteristic Curves

S125-NJ, S125-GJ, VS125-NJ (125A)

